

209,280

## COLLAPSIBLE TRAVEL TRAILER

Leo J. Hagenson, Grantsburg, Wis., assignor to Rolite,  
Inc., Grantsburg, Wis., a corporation of Wisconsin

Filed Feb. 15, 1967, Ser. No. 5,827

Term of patent 14 years

(Cl. D14-3)

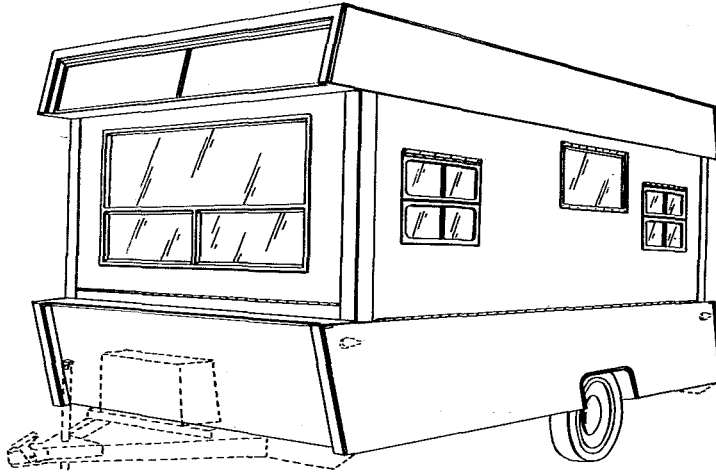


FIG. 1

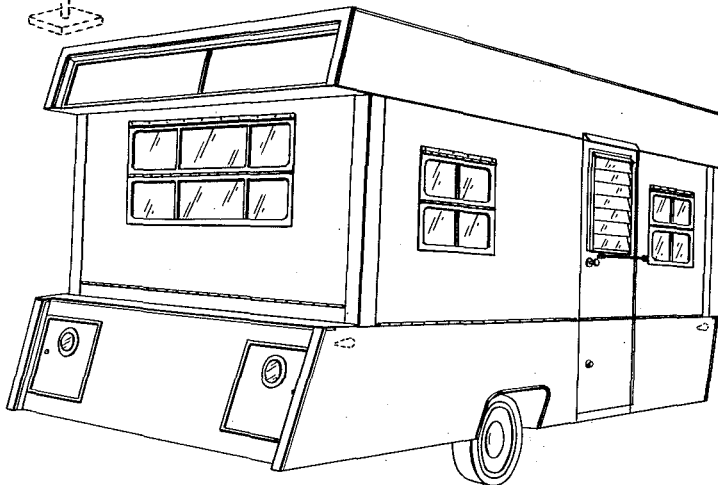


FIG. 2

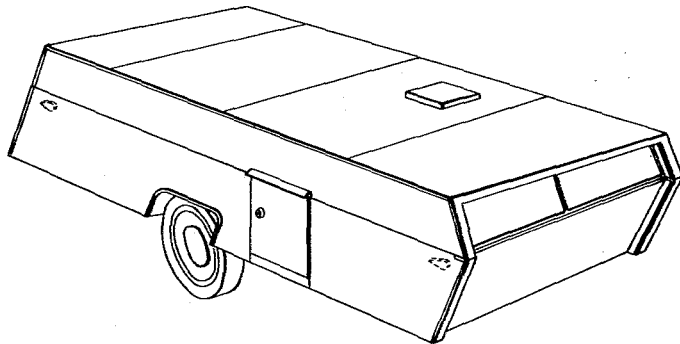


FIG. 3

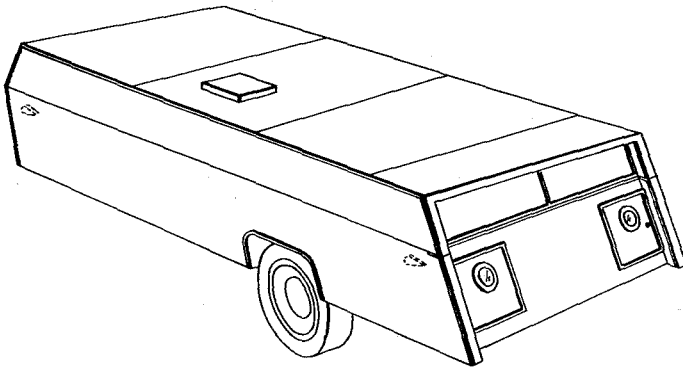


FIG. 4

FIGURE 1 is a perspective view of the front and one side of a collapsible travel trailer, showing my new design;

FIGURE 2 is a perspective view of the rear and other side of the same;

FIGURE 3 is a perspective view showing in collapsed form the front and one side of the same; and

FIGURE 4 is a perspective view of the same showing the rear and side opposite that shown in FIGURE 3.

The dominant features of my design reside in the portions shown in full lines.

I claim:

The ornamental design for a collapsible travel trailer, as shown and described.

**References Cited**

UNITED STATES PATENTS

D. 188,717	8/1960	McNamee	-----	D14-3
D. 203,256	12/1965	Varwig	-----	D14-3
3,050,331	8/1962	Mansen.		
3,186,754	6/1965	Winstead.		

WALLACE R. BURKE, *Primary Examiner.*

J. PAUL GUERTIN, *Assistant Examiner.*